

Desk-top Bank Note Counter

GFB-800/900

Option

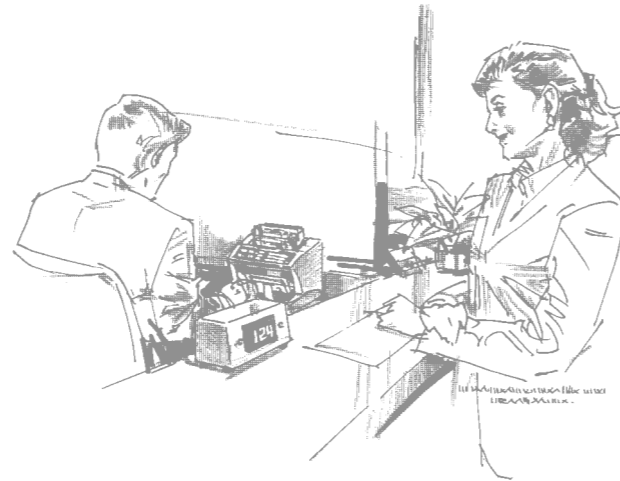
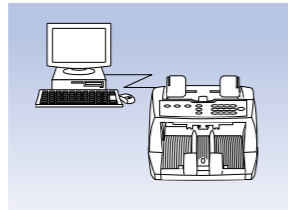
Counter Display:

This counter display allows the customer to easily view counter totals.



Interface:

Interface for connecting the bank note counter to a computer terminal or other device with an RS232C interface.

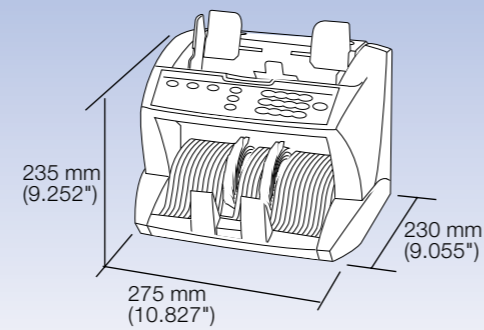


Specifications

Dimensions	275 (W) x 235 (H) x 230 (D) mm (10.827" x 9.252" x 9.055")
Weight	5.5 kg – 6.0 kg (12.125 lbs – 13.227 lbs)
Countable note size	50 x 85 mm – 110 x 185 mm (1.969" x 3.346" – 4.330" x 7.283") Thickness: 0.06 x 0.12 mm (0.039" x 0.004")
Counting speed	1800, 1500, 1000, 500 notes/min. (four step system)
Feed system	Roller friction system
Hopper capacity	300 sheets
Stacker capacity	200 sheets
Counting display	4-digit LED (large)
Batch display	3-digit LED (small)
Power supply	AC100 – 240V 50/60Hz
Power consumption	1.2A (100 – 127V), 0.6A (220 – 240V)
Buzzer	Gives an alarm when a different denomination is detected.

Dimensions

Weight: 5.5–6.0 kg
(12.125–13.227 lbs)



GLORY
Quality the World Counts on

GLORY SHOJI CO., LTD.

<http://www.glory-international.com>
4-8-17, Nishitenma, Kita-ku, Osaka, 530-8671, Japan
Tel: +81-6-6362-7355 / Fax: +81-6-6365-1146

U.S.A.

GLORY (U.S.A.) INC.
<http://www.gloryusainc.com>

Corporate Headquarters

10 York Avenue, West Caldwell, NJ 07006
Tel: +1-800-999-4510 / Fax: +1-973-228-7114

System Products Engineering Center

11205-A Knott Avenue, Cypress, CA 90630
Tel: +1-800-897-1879 / Fax: +1-714-897-9415

North Central Region

2506 Wisconsin Avenue, Downers Grove, IL 60515
Tel: +1-888-456-7987 / Fax: +1-630-241-4482

Northeast Region

10 York Avenue, West Caldwell, NJ 07006
Tel: +1-800-654-4564 / Fax: +1-973-228-8796

South Central Region

623 Distributors Row, Suite A Harahan, LA 70123
Tel: +1-800-609-8088 / Fax: +1-504-734-5988

Southeast Region

4201-B Stuart Andrew Blvd., Charlotte, NC 28217
Tel: +1-800-847-9414 / Fax: +1-704-525-5991

Southwest Region

1600 N. Interstate 35-E, Suite 103, Carrollton, TX 75006
Tel: +1-800-395-0411 / Fax: +1-972-323-9043

Western Region

11809 E. Telegraph Road, Santa Fe Springs, CA 90670
Tel: +1-800-762-7824 / Fax: +1-562-949-1301

EUROPE

GLORY GmbH

<http://www.glory-europe.com>
Louise-Dumont-Str. 25, 40211 Düsseldorf, F.R. Germany
Tel: +49-211-173770 / Fax: +49-211-1737710

SINGAPORE

GLORY MONEY HANDLING MACHINES PTE. LTD.

<http://www.glory-mhm.com>
9 Temasek Boulevard #44-01, Suntec Tower 2,
Singapore 038989
Tel: +65-8372813 / Fax: +65-8372803

HONG KONG

GLORY CASH HANDLING SYSTEMS (CHINA) LTD.

<http://www.glory-chn.com>
Rm. 710, Lu Plaza, 2 Wing Yip St., Kwun Tong,
Kowloon, Hong Kong
Tel: +852-2628-1800 / Fax: +852-2628-1802

*Specifications are subject to change without notice.
*Copyright (c) 2001 by Glory Shoji Co., Ltd. All rights reserved.

Distributed by:

GLORY

Desktop Bank Note Counter

GFB-800/900 Series



- High-quality, High-performance, High-reliability
- A full line of bank note counters that meet a wide range of customer needs.
- MCCD system protects against counterfeiting

